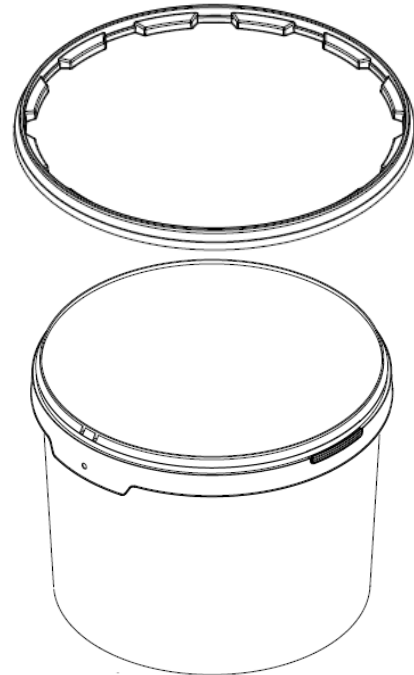
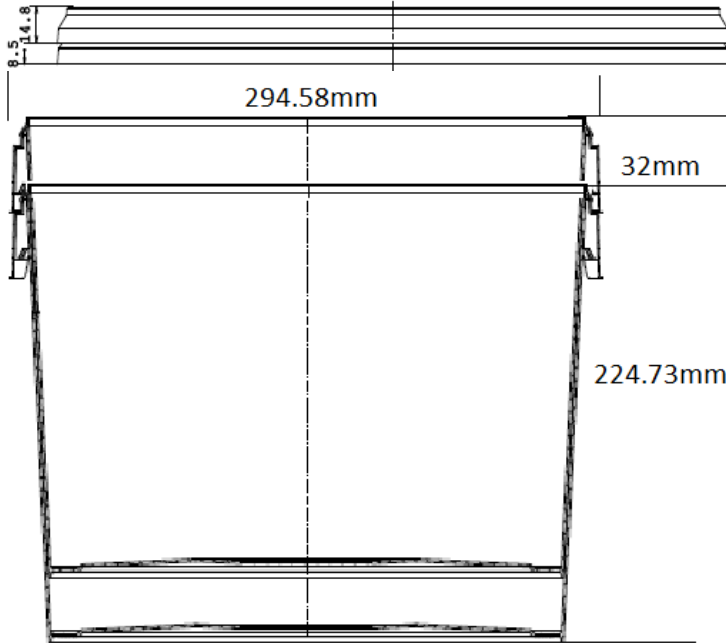




Shalam Packaging Ltd.



257.00 mm base diameter

# 11 LITRE BUCKET3

Tamper Evident

<b>MATERIAL</b>	Food Grade Polypropylene Co-Polymer	
<b>HANDLE TYPE</b>	Plastic or metal	
<b>COLOUR</b>	White – a range of colours are available on request	
<b>LABELING</b>	In Mould Labeling available on request	
<b>BRIM VOLUME</b>	12.1 Litres	
<b>WEIGHT</b>	Container:	325g (+/- 15g)
	Lid:	80g (+/- 4g)
	Plastic handle:	16g (+/- 1g)
	Metal handle:	39.5g (+/- 4g)
<b>QUANTITY (EMPTY)</b>	Container:	396 per pallet (1000mm x 1200mm)
	Lid:	1,140 per pallet
		Lids and buckets dairy wrapped for food standards
<b>STACKING (EMPTY)</b>	Container:	3 pallets high
	Lid:	in pallet box 3 high
<b>FILLING (Based on product density 1.4 air temperature 20°C)</b>	60 per pallet (12 per layer x 5 high) This is equivalent to a maximum weight of 62 kg on the lower bucket. Maximum stacking temperature 40°C 1400 mm maximum pallet height tbc	
<b>FILL TEMPERATURE</b>	Max 70°C (avoid prolonged exposure over 40°C and below -20°C) Hotfill max 95°C (avoid prolonged exposure over 65°C and below 15°C) Extra hot fill Max 121°C (avoid prolonged exposure over 100°C and below 10°C) Freezer max 50°C (avoid prolonged exposure over 30°C and below -30°C) Polymer blend can be adjusted to suit other temperatures. Stacking performance is affected by temperature, do not stack hot.	
<b>COMPATIBILITY</b>	It is the responsibility of our customers to ensure their product is compatible with the container. Trials can be carried out by Shalam on request.	

All details correct at the time of printing. Please contact us for additional technical, sales and order assistance.

Shalam Packaging Ltd., Pippis Hill Industrial Estate, Bentsalls, Basildon, Essex SS14 3BX

Tel +44 (0)8445 611 566

sales@Shalampackaging.com  
www.Shalampackaging.com



*J. Meredith*