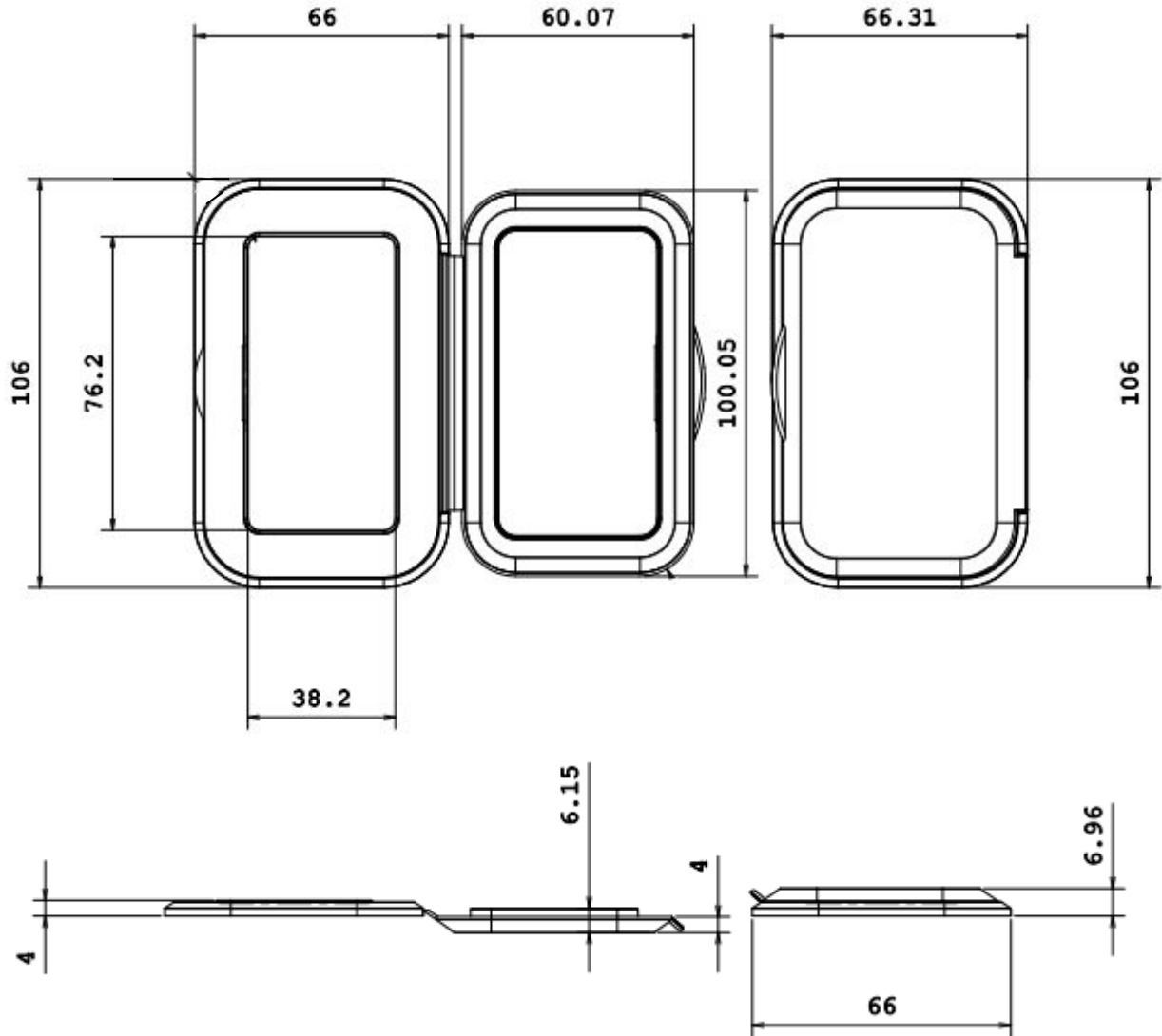




Shalam Packaging Ltd.



Wetwipe Lid

MATERIAL	Food Grade Polypropylene Co-Polymer
COLOUR	White – a range of colours are available on request
WEIGHT	10.5g (+/- 1g)
QUANTITY (EMPTY)	34,800 per pallet (1000mm x 1200mm)
STACKING (EMPTY)	3 pallets high
COMPATIBILITY	It is the responsibility of our customers to ensure their product is compatible with the container. Trials can be carried out by Shalam on request.

All details correct at the time of printing. Please contact us for additional technical, sales and order assistance.

Shalam Packaging Ltd., Pippas Hill Industrial Estate, Benthalls, Basildon, Essex SS14 3BX

Tel +44 (0)8445 611 566

sales@Shalampackaging.com
www.Shalampackaging.com

